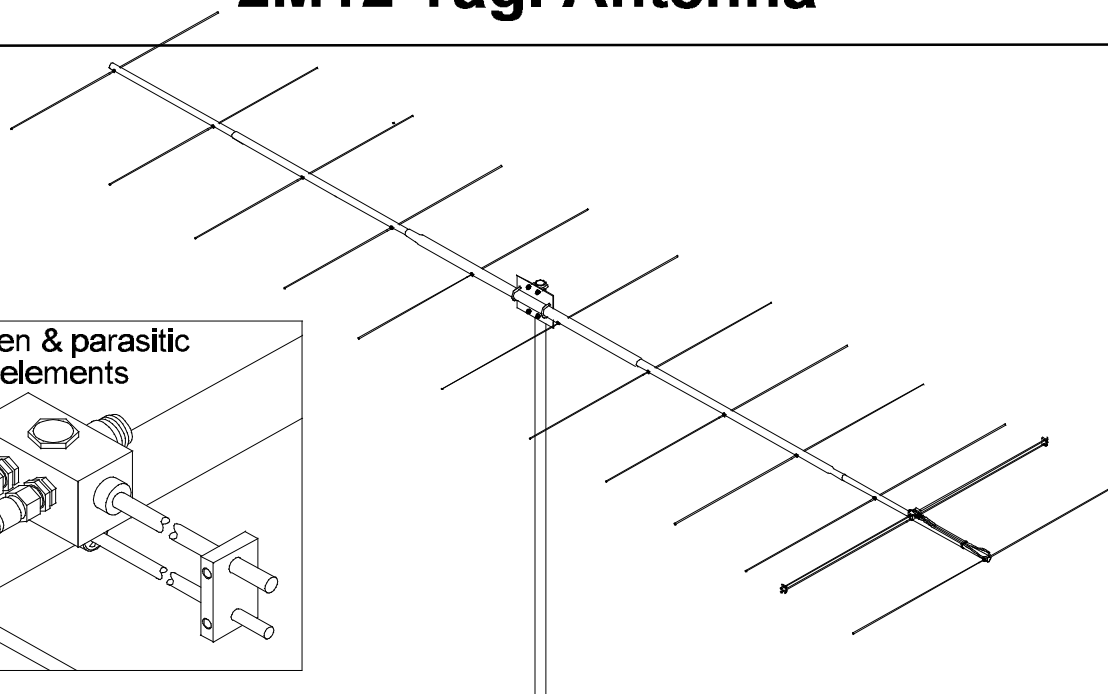
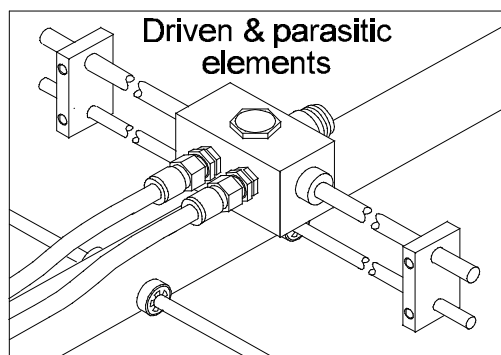




# 2M12 Yagi Antenna



## SPECIFICATIONS

MODEL NUMBER .....	2M12
FREQUENCY .....	144 TO 148 MHz
GAIN .....	12.8 dBd
VSWR .....	1.2:1 TYPICAL
FRONT TO BACK .....	25 dB TYP
BEAMWIDTH E & H.....	E=32° H=36°
CONNECTOR .....	'N' FEMALE
POWER HANDLING .....	1500 WATTS
STACKING DISTANCE .....	10 FT
BOOM LENGTH.....	19.5 FT
MOUNTING.....	H OR V
WIND LOAD.....	1.5 SQ FT
WEIGHT / SHIPPING WT....	8 LBS / 9 LBS UPS

## FEATURES

The 2M12 features the latest computer techniques for optimization of pattern and gain. Clean patterns allow you to hear more and interfere less. Clean patterns are essential for stacking. The 2M12 is ideal for stacking in either polarization. Two 2M12's side by side vertically polarized are a dynamite FM DX package and 4 or more are perfect for long haul tropo DXing or moonbounce.

Structurally the 2M12 is sturdy and clean, requiring no boom support. Elements are 3/16" 6061-T6 aluminum rod mounted through the boom on UV stabilized "button" insulators. The boom is a full 1-1/2 inch diameter in the middle tapering through two 1-1/4 inch sections to stiff 1 inch tips. The heart of the 2M12 is the unique Driven Element Module: connectors are O-ring sealed to the CNC machined block and balun connectors feature triple O-ring seals. Internal module connections are sealed in a space-age silicone gel (with nearly 4 times the dielectric strength of air) to enhance power handling. The 2M12: superior performance, long term electrical and mechanical integrity.