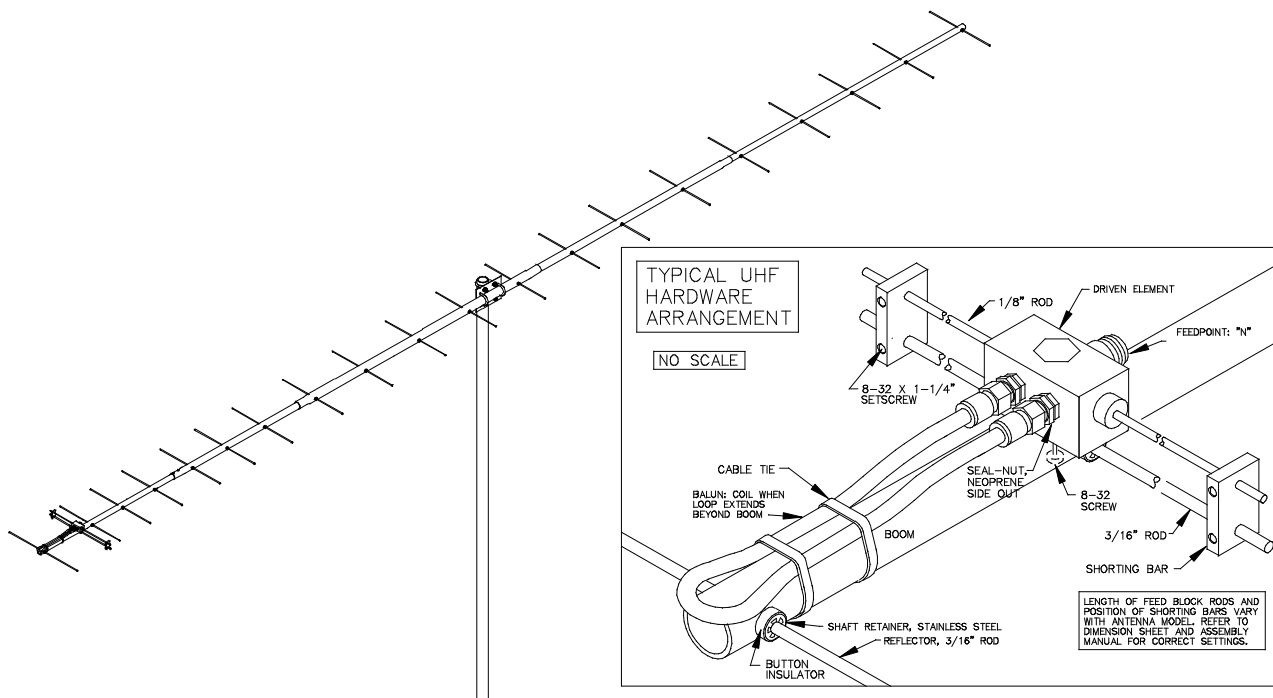


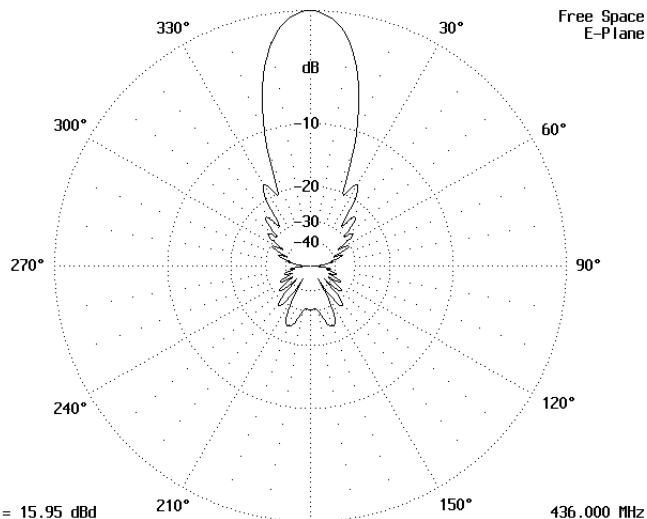


440-21ATV Yagi Antenna



SPECIFICATIONS

Model Number	440-21ATV
Frequency Range	420 TO 440 MHz
Gain	15.9 dBd
Front to Back	23 dB
VSWR	1.2:1 Typical
Beamwidth	E=22°, H=24°
Stacking Distance	E=61", H=59"
Input Connector	'N' Female
Power Handling.....	1 KW
Wind Area.....	1.25 sq ft.
Boom Length / Dia.	14' 6" / 1"
Mast Size	2"
Wind Survival.....	100 MPH
Weight / Shipping Weight	4.6 Lbs / 7 Lbs



FEATURES

The 440-21ATV is the ultimate ATV antenna: computer and range optimized for very high gain and excellent pattern across its bandwidth. It can be mounted vertically or horizontally and is also ideal for OSCAR, FM, LONG HAUL TROPO, ETC. Its lightweight, yet sturdy, construction keeps the wind area low without compromising the 100 MPH wind survival rating. We guarantee you will be impressed.

The heart of the 440-21ATV is a unique Driven Element Module with superior weather resistance and power handling abilities. The module is CNC machined from a solid aluminum block, features O-ring sealed connectors and internal connections embedded in a special silicone gel that seals out weather and improves power handling. The Balun connectors are triple-sealed to the coax. Other key mechanical and electrical parts are CNC machined from 6061-T6 aluminum and all hardware except U-bolts is stainless steel.

The 440-21ATV offers you uncompromising performance, enduring mechanical construction, and long term electrical integrity. Where else but M².