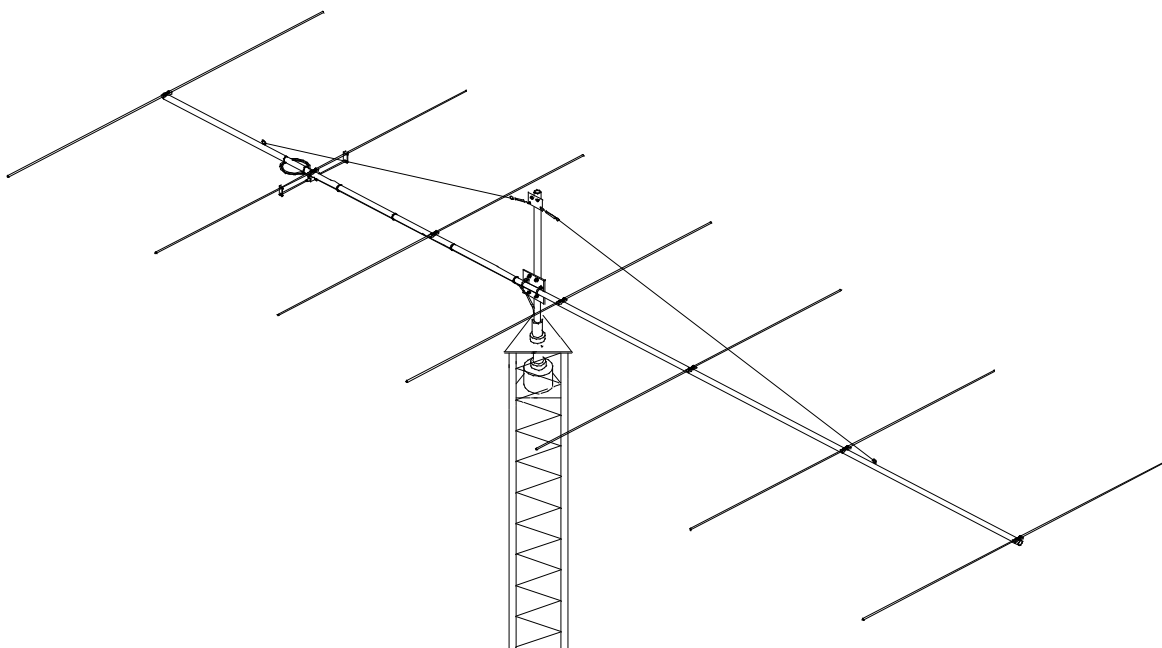


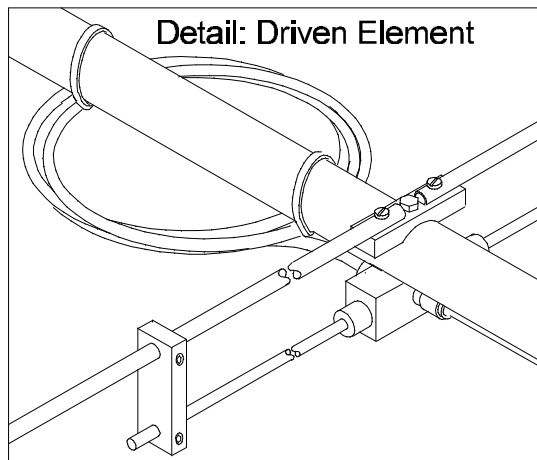


6M7JHV 6 Meter Yagi



SPECIFICATIONS

Model	6M7JHV
Frequency	50.0-50.4 MHz
Gain	10.9 dBd
Front to back.....	25 dB
Beamwidth E - Plane	E=40° / H=42°
Stacking Distance, Max.....	27' Wide, 25' High
Feed Impedance / Conn.	50 Ohms / "N" fem.
VSWR.....	1.2:1
Power Handling.....	1.5 KW
Match Type	'T' Match
Balun.....	4:1 Coaxial
Lightning Protection	All Elements Grounded
Boom Length / Dia	30' 8" / 1-1/2" O.D.
Element Type.....	3/8" tube
Mast Size	2" others optional
Wind Area / Survival	2.5 sq ft / 85 MPH
Weight / Ship Wt.....	17 Lb / 20 Lb (UPS shippable)



FEATURES

The 6M7JHV is a mid-sized 7 element antenna designed originally for Dave Batcho, N5JHV. The JHV's excellent gain is coupled with a very clean pattern for reducing local noise, making it ideal for long-haul terrestrial and EME communications. An outstanding performer by itself, the JHV also produces 17 dBd in an 4-bay array. Mechanical features include machined aluminum element-mounting blocks, O-ring sealed connectors and balun, silicone-gel sealed T- match block, and stainless steel hardware. Elements are 3/8 tube and DC grounded. The 1-1/2" boom breaks down into 5 ft sections for easy portability. An overhead guy system provides additional boom support.