



Operation Manual
Model CA-1243Z

430 & 1200MHz UHF Dual Bander of World Highest Gain

Features:

- * SLC (Super Linear Converter) system could realize extremely low-loss, highest gain dual bander.
- * No-joint, one-piece fiber glass element has strong enough wind-proof of 60m/sec. and is completely weather/pollution-proof.
- * Having wide enough band width, no frequency adjustment is necessary.
- * Lightning-Protection can protect the transceivers.
- * Optional use of COMET duplexer CF-412/CF-4120 allows completely duplex operation.

Specifications:

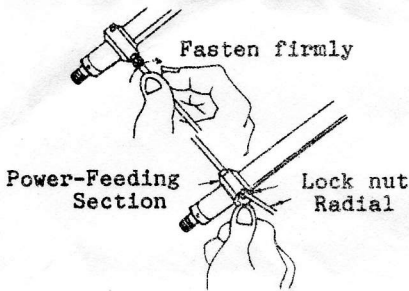
Frequency : 1260 - 1300MHz (5/8wave x 9step)
 430 - 440MHz (5/8wave x 4step)
 Gain : 12.8dBi (1200MHz)
 9.4dBi (430MHz)
 Impedance : 50 ohm Length : 2.26m
 V. SWR : Less than 1 : 1.5
 Avail. mast dia. : 30 - 62mm ϕ
 Connector : N-type Weight : 1.3kgs.
 Wind Velocity : 60m/sec.

3. Assemble the Mount-Support-Pipe to the feeding section firmly, with Lock-Bolt.
4. Finally, mount the all assembled antenna to your pole.

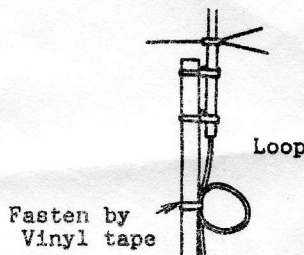
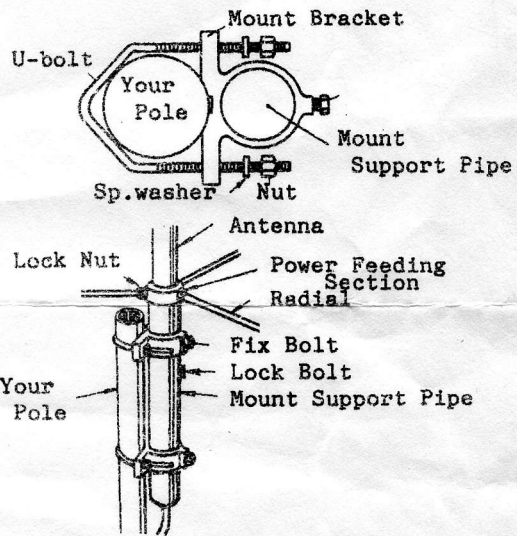
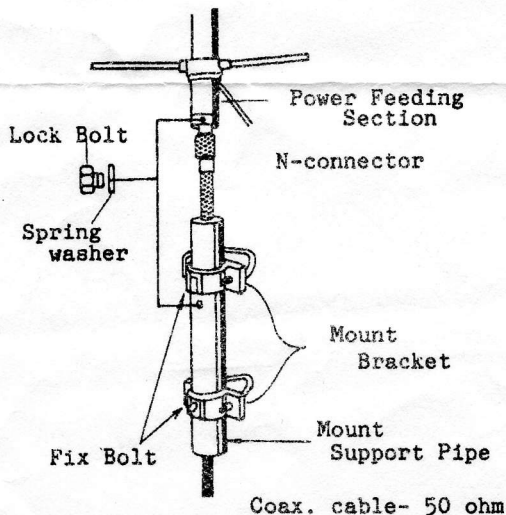
Assembling:

Please refer to the below explanations and figures.

1. First, assemble 3 radials to the power feeding section. Fasten the Lock-Nut completely with a spanner etc.



2. Then, mount the 2 Mount Brackets to the Mount-Support-Pipe. Pass the coax. cable through the Pipe and connect to the power feeding section.



V. SWR Characters:

